

# OPTICAL SENSOR CNG201C

---

## SENSOR GAUGE CNG

### INSTALLATION PROVISIONS & WARNINGS



Rev.0




**BIGAS INTERNATIONAL AUTOGAS SYSTEMS S.r.l.**

Via L. Becchetti, 4 - 25081 Bedizzole (BS) ITALY

Tel. 0554211275 - [http: www.bigas.it](http://www.bigas.it)

Issued: Bigas 04/2020

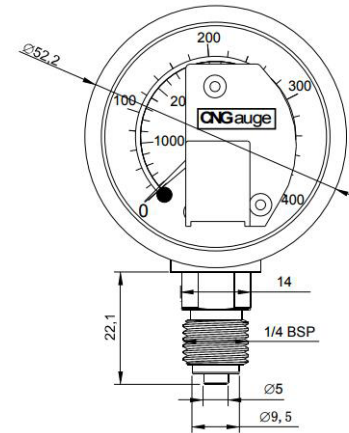
**1. DATA SHEET:**

<b>Manufacturer</b>	CNG PART COMPANY		
<b>Type of gas</b>	CNG		
<b>Model</b>	CNG201C/NGV		
<b>Body Material</b>	Mild steel		
<b>Pressure element material</b>	Phosphorus bronze		
<b>Window material</b>	Polycarbonate		
<b>Working pressure</b>	0-250bar		
<b>Burst pressure</b>	>1000bar		
<b>Testing pressure</b>	0-400bar		
<b>Socket Thread</b>	1/4"BSP	Brass	
<b>Leakage</b>	350bar air pressure		
<b>Burst</b>	520bar liquid pressure		
<b>Working temperature</b>	-40° ÷ 120°C -40° ÷ 248°F		
<b>Protection</b>	IP65		
<b>Durability</b>	70,000 cycles		
<b>Mechanical Accuracy</b>	1,6% F.S.@25°C		
<b>Electronic Accuracy</b>	±10bar		
<b>Approval</b>	E13-110R-010353"C" ISO15500-8		

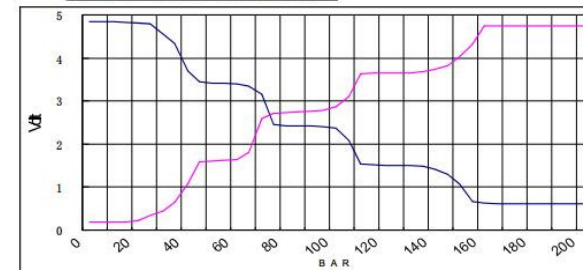
**2. GENERAL DESCRIPTION**

Before the installation, take sure that the device has been supplied with all the necessary accessories provided in the package, as listed below (see **pic. 1**):

<b>Code</b>	<b>Description</b>	<b>Q.ty</b>
<b>SEINB050100</b>	CNG gauge for RI27-J regulator (with 2 screw and 2 washer)	<b>1 pc</b>



**OUTPUT CURVE**



**Pic. 1 - Drawing illustrative CNG gauge**



**BIGAS INTERNATIONAL AUTOGAS SYSTEMS S.r.l.**

Via L. Becchetti, 4 - 25081 Bedizzole (BS) ITALY

Tel. 0554211275 - [http: www.bigas.it](http://www.bigas.it)

Issued: Bigas 04/2020

Rev.0